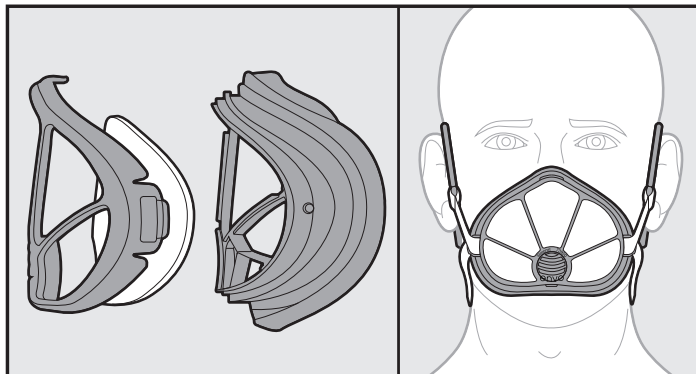


## User Instructions



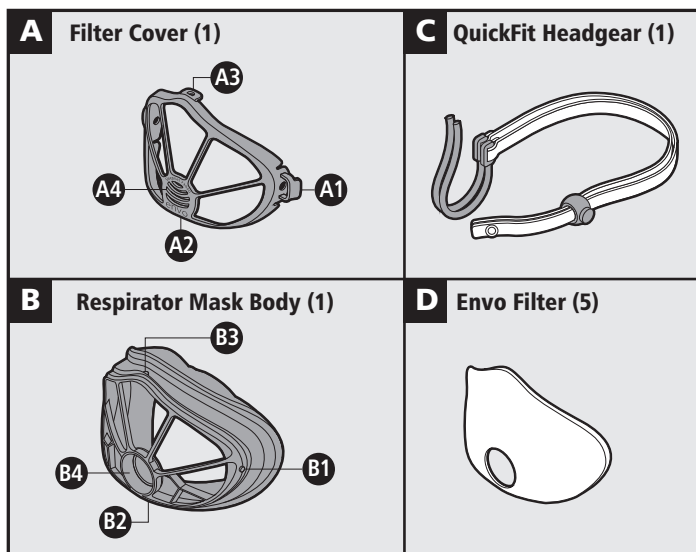
1-877-421-7337

www.envomask.com

support@envomask.com

90113 Rev B

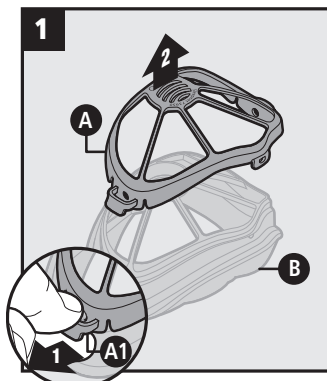
### Box Contents



- A-1 Headgear Slot / Release Tab
- A-2 Alignment Indicator arrow
- A-3 Position clip
- A-4 Exhalation Port Cover
- B-1 Side locking pin (Left and right)
- B-2 Alignment indicator arrow
- B-3 Position Pin
- B-4 Exhalation Port

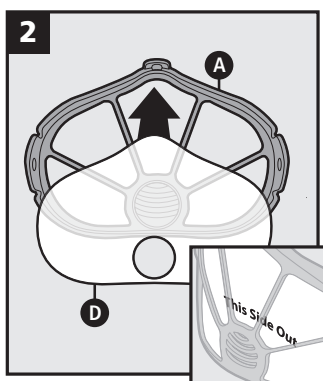
Also includes (1) personal envo mask storage case and set of instructions for assembly.

### How To Assemble

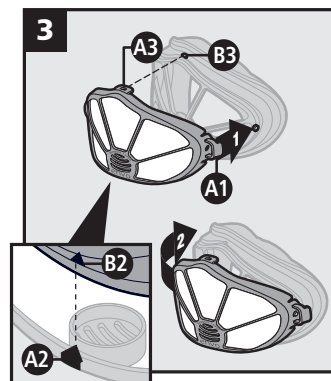


Place the respirator mask on a flat surface with the AIRgel® cushion side up. Remove filter cover (A) by placing thumb over headgear tab (A-1) and index finger under tab resting on the filter cover frame. Using thumb, aggressively pull tab away from the center of the mask body (B). When tab releases, separate mask body and filter cover.

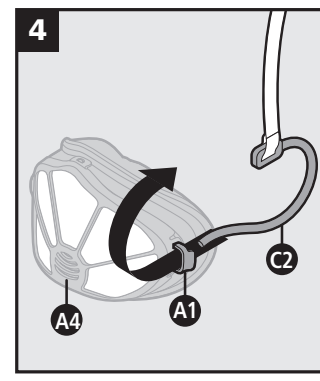
Inspect exhalation port (B4) as shown in figure 9.



Insert filter (D) in filter cover (A). Verify the filter writing is visible when wearing the mask or the filter will not perform as designed. Examine from the front side to verify the filter is laying flat and that there are no gaps between the filter and cover as shown in figure 10.



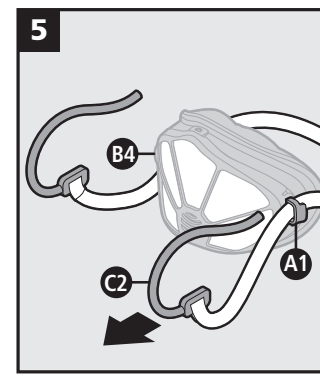
Align position clip (A3) over mask body position pin (B3). Align arrows (A-2) and (B-2). Press slot/release tab (A-1) until you hear an audible 'click'. Repeat on the other side. Verify the filter remained in proper position by checking for gaps between the filter and filter cover.



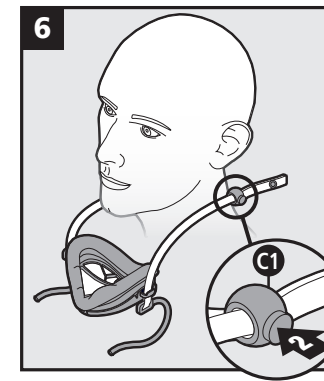
Remove QuickFit headgear from packaging.

Place the respirator mask vertically on a flat surface with the exhalation port (A-4) on the bottom.

With the AIRgel® cushion facing you, gently slide the ear clip (C-2) elongated end facing down through the headgear slot/release tab (A-1) of the filter cover. Repeat on the other side.

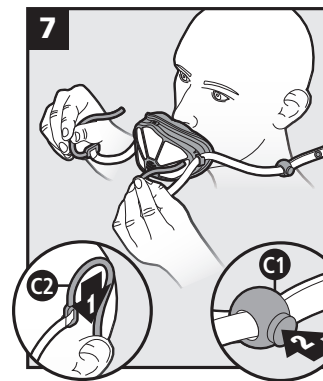


Gently pull the ear clip (C-2) and fabric stitched loop (C-3) through the headgear slot/release tab (A-1). Repeat on the other side.



Place headgear over head, wearing it similar to a necklace. Allow mask to lay on chest with AIRgel® cushion facing up. Wider side of triangle should be on chest with top facing out.

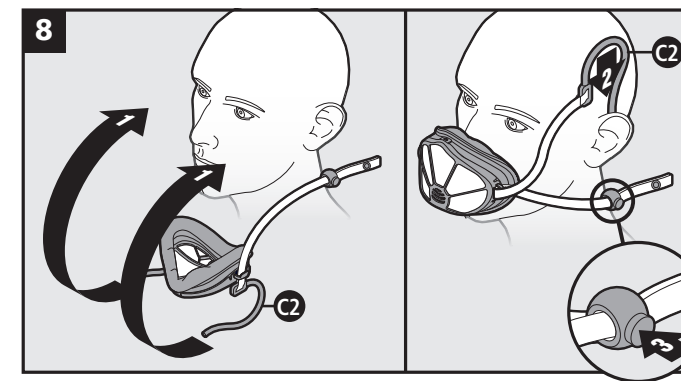
Use the adjustment ball (C-1) until the mask is approximately 4 inches (10cm) below your neck.



Hold one ear clip (C-2) in each hand, then hook each ear clip over your ears simultaneously.

Use hands to align mask on your face properly. Adjust ball (C-1) for a secure fit and a good seal.

Place hands over filter to block air and inhale. AIRgel® cushion should compress during inhale.



QuickFit headgear allows for a quick removal of the mask without taking the mask completely off. Slide ear clips (C-2) off ears and allow the respirator mask to hang down. Reinstall by placing ear clips over ears. For best results, install both clips (C-2) simultaneously.

**Note:** To replace filter, follow step 1 to remove filter cover, remove filter, install new filter using step 2. Install filter cover on mask body using step 3.

### WARNING

**IMPROPER USE AND CARE OF THIS RESPIRATOR RENDERS THE RESPIRATOR INEFFECTIVE AND MAY LEAD TO SICKNESS, INJURY AND/OR DEATH. FOR PROPER USE INSTRUCTIONS REFER TO THE USER INSTRUCTIONS OR VISIT THE WEBSITE WWW.ENVOMASK.COM OR CALL 1-877-421-7337. WHEN CALLING FROM OUTSIDE THE USA, PLEASE CALL 1-603-758-6690.**

**IMPORTANT: THIS RESPIRATOR MEETS N95 STANDARDS AND HELPS TO PROTECT AGAINST AIRBORNE PARTICULATES. BEFORE USE, USER MUST READ AND UNDERSTAND THESE USER INSTRUCTIONS.**

**PERMITTED USES:** Use for protection from non-toxic particles such as those from grinding, sanding, sweeping, pollen, bagging, or processing minerals and/or materials as coal, iron ore, metal, flour, grains, wood, and certain other substances. Additionally, can be used for liquid or non-oil based particles from sprays that do not emit oil aerosols or vapors. Follow all applicable local regulations. For additional information visit our website at [www.envomask.com](http://www.envomask.com) or call 1-877-421-7337. When calling from outside the USA, please call 1-603-758-6690.

**PROHIBITED USES:** DO NOT use for protection from gases and vapors, oil aerosols, asbestos, or sandblasting; particulate concentrations that exceed either 5 times the occupational exposure limit or applicable government regulations, whichever is lower. In the USA DO NOT use when the Occupational Safety and Health Administration (OSHA) substance specific standards, such as those for arsenic, cadmium, lead in the construction industry, or 4,4'-methyleneedianiline (MDA), specify other filter types of respiratory protection. This respirator does not supply oxygen and does not breathe for the user.

**Biological Protection:** This respirator may help reduce inhalation exposure to certain airborne biological particles (e.g. mold, etc.) but cannot eliminate the risk of contracting infection, illness, or disease. OSHA and other government agencies have not established safe exposure limits for these contaminants.

#### USER INSTRUCTIONS:

- Failure to follow all instructions and limitations during the use of this respirator and/or failure to use this respirator during times of exposure can reduce or eliminate respirator effectiveness and may result in sickness, injury, and/or death.
- Before occupational use of this respirator a written respiratory protection program must be implemented meeting all governmental requirements. United States employers must comply with OSHA 29 CFR 1910.134 which includes medical evaluation, training, and fit testing. Follow all applicable local regulations.

- Particles which can be dangerous to the health of the user include those that are not visible. These particles pose a significant threat to the health of the user. As such, the user and/or employer shall always consider whether or not an environment requires additional or different respiratory protection.
- Inspect respirator before each and every use to ensure that it is in good operating condition. Examine all the parts of the respirator for signs of tears, breakage, or other damage. This includes the QuickFit headgear, exhalation valve, AIRgel® cushion, and filter. Inspect the filter prior to each and every use to ensure there are no holes or damage from misuse or improper storage, and it is not soiled and/or clogged. Verify the exhalation valve is flat inside the valve port as shown in Figure 1. If any parts are damaged or the filter is soiled and/or clogged, replace.
- Conduct a user seal check before use as specified in the Fitting Instructions section. DO NOT use the respirator if conditions exist that prevent a good seal between the face and the AIRgel® cushion of the respirator.
- Leave the contaminated area immediately if dizziness, irritation, or other distress occurs.
- This respirator is designed for occupational/professional/personal use by adults who are properly trained in their use and limitations. This respirator is not designed to be used by children.
- Individuals with a compromised respiratory system, such as asthma or emphysema, should consult a physician and must complete a medical evaluation prior to use.
- Store the respirator and sealed filters in the envo mask storage case away from contaminated areas when not in use. Unused filters should always be stored in the sealed poly bag (provided). ALWAYS examine all parts of the respirator and filters for signs of tears, breakage, clogging, soiling, or other damage after storage, prior to use.
- Dispose of soiled/clogged filters and damaged parts in accordance with applicable regulations.

#### USE LIMITATIONS:

- This respirator does not supply oxygen. DO NOT use in atmospheres containing less than 19.5% oxygen.
- DO NOT alter, abuse or misuse this respirator.
- DO NOT use with beards, other facial hair, or other conditions that prevent a good seal between the face and the sealing surface of the respirator.
- This respirator can help protect your lungs against certain airborne contaminants. It will not prevent entry through other routes such as the skin, which would require additional personal protective equipment (PPE).
- This respirator does not contain PVC, DEHP, or phthalates. If the user has ANY reaction to any part of the respirator, discontinue use immediately.

#### STORAGE CONDITIONS:

Before use, store respirators in the original packaging, away from contaminated areas, dust, sunlight, extreme temperatures, excessive moisture and damaging chemicals. ALWAYS inspect the respirator and conduct a user seal check before use as specified in USER INSTRUCTIONS. If you cannot achieve a proper seal, DO NOT use the respirator.

#### SERVICE LIFE LIMITATIONS:

DO NOT use a single filter, continuously or intermittently, for more than a maximum of 8 hours. In heavily contaminated environments the filter may reach its maximum load more rapidly. The user must be aware of the filter load throughout use. If the filter reaches maximum load and breathing becomes labored, immediately leave the contaminated environment and replace the filter with a new filter.

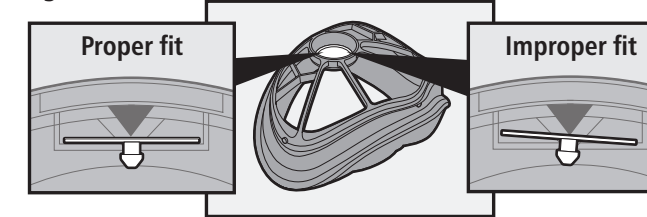
This is a reusable particulate respirator. Different environments affect the useful life span of the respirator at different rates. As such, inspect the respirator before each use to ensure the respirator is ready for effective use. DO NOT use the respirator without inspecting the respirator for effective use, as using a compromised respirator may result in sickness, injury or death.

#### CLEANING:

DO NOT wash filters. Filters are not reusable. All other components, including the QuickFit headgear, can be hand washed with mild soap and water. Air dry.

**IMPORTANT: AFTER WASHING, INSPECT THE EXHALATION VALVE TO ENSURE THE VALVE REMAINS PROPERLY FITTED AND LYING FLAT, SEALING THE VALVE PORT. DO NOT USE THE RESPIRATOR IF THE EXHALATION VALVE IS DAMAGED OR NOT PROPERLY FITTED.**

Figure 9



#### For More Information:

Visit [www.envomask.com](http://www.envomask.com) or call 1-877-421-7337. When calling from outside the USA, please call 1-603-758-6690.

This respirator does not contain components made from natural rubber latex.



Sleepnet Corporation  
Hampton, NH USA 03842  
1-877-421-7337



THIS RESPIRATOR IS APPROVED ONLY IN THE FOLLOWING CONFIGURATION:

TC-	Protection <sup>1</sup>	Respirator Components				Cautions and Limitations <sup>2</sup>
		Filter Cover	Filter	Mask Assembly	QuickFit Headgear	
84A-8448	N95	39802	39827	48016	55054	ABCILMNOP

#### 1. Protection

**N95- Particulate Filter** (95% filter efficiency level) effective against particulate aerosols free of oil; time use restrictions may apply.

#### 2. Cautions and Limitations

- A- Not for use in atmospheres containing less than 19.5% oxygen.
- B- Not for use in atmospheres immediately dangerous to life or health.
- C- Do not exceed maximum use concentrations established by regulatory standards.
- J- Failure to properly use and maintain this product could result in injury or death.
- L- Follow the manufacturer's User Instructions for changing cartridges, canister and/or filters.
- M- All approved respirators shall be selected, fitted, used, and maintained in accordance with MSHA, OSHA and other applicable regulations.
- N- Never substitute, modify, add or omit parts. Use only exact replacement parts in the configuration as specified by the manufacturer.
- O- Refer to User's Instructions, and/or maintenance manuals for information on use and maintenance of these respirators.
- P- NIOSH does not evaluate respirators for use as surgical masks.

13030 Rev A



Scan me

Please visit <https://envomask.com/videos> for additional assembly guidance.